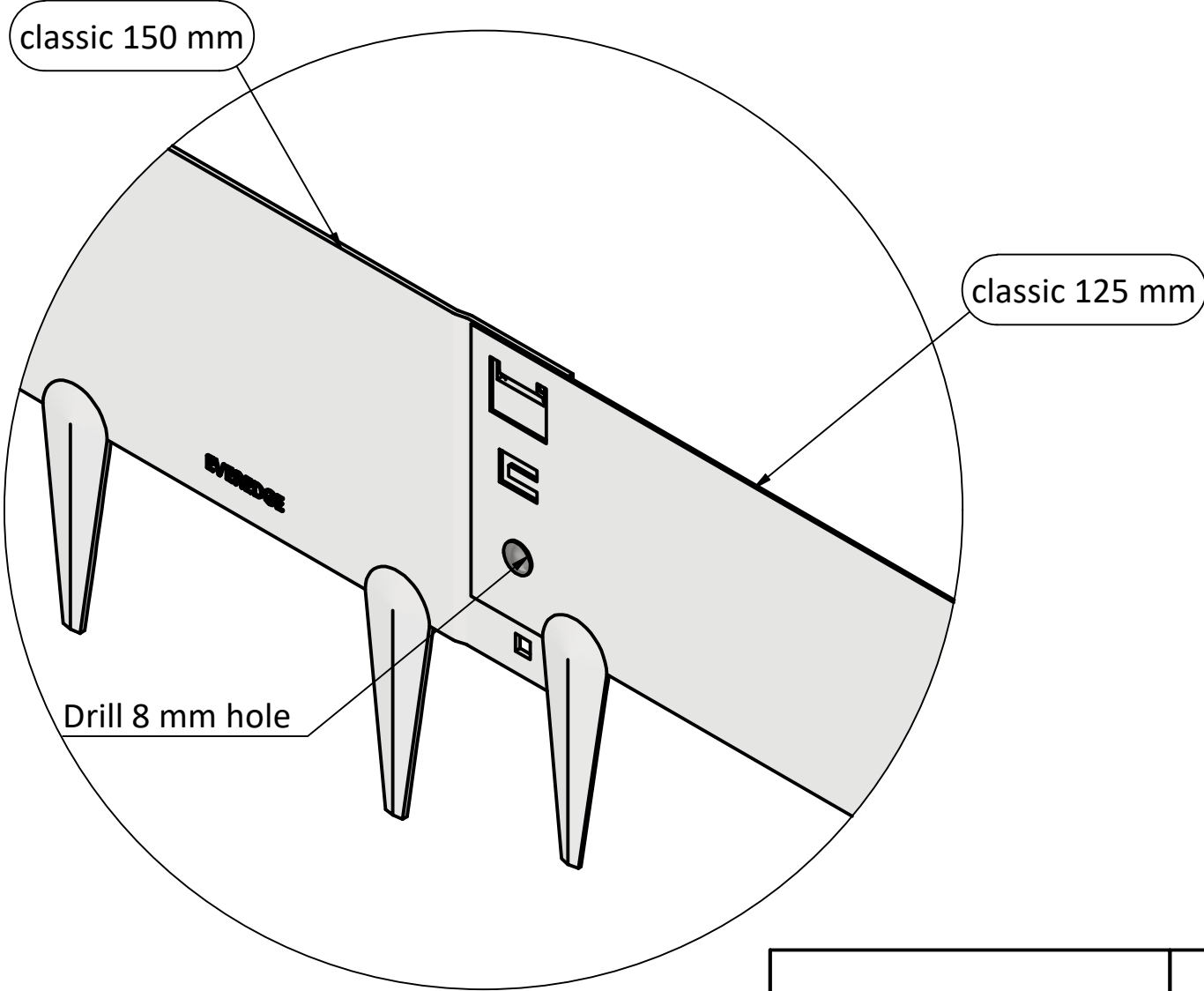
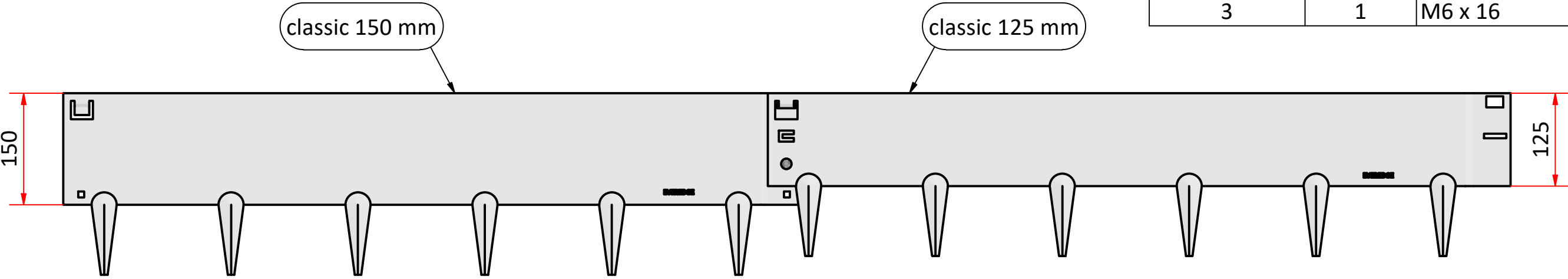




PARTS LIST		
ITEM	QTY	PART NUMBER
1	1	classic 125 mm
2	1	classic 150 mm
3	1	M6 x 16



	93 The Lloyd Hales Market Drayton Shropshire TF9 2PS 01630 417120	Designed by Arusiak	All dimensions in mm unless otherwise stated	Date 25/03/2024		DO NOT SCALE
	This drawing is property of Everedge and must not be modified or redistributed without prior consent from Everedge		Assembly		Issue	Sheet 1 / 1