

Thank you for purchasing our

## **Cresco 28SW Fertilizer and Salt Spreader | Semi-Assembled**



**We're delighted to have you as a customer and are here to help! First off, let's get your product assembled!**

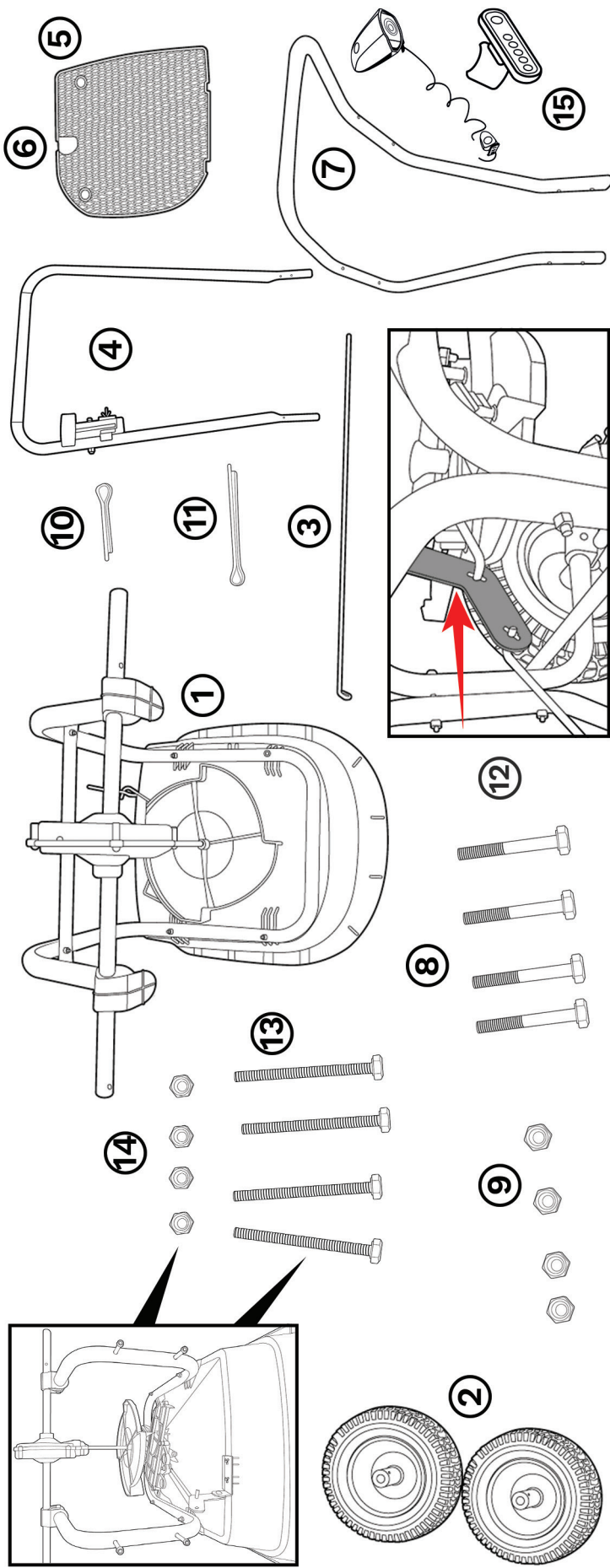
### **Table of Contents:**

- 1:** Spare Parts
- 2:** Slide System Explanation
- 3-5:** Assembling your Cresco 28SW
- 6:** How to Use the Cresco 28SW
- 7:** Application Guide for Fertilisers
- 8:** Warranty



**3 YEAR  
WARRANTY!**

# Spare Parts



**Empty all contents of the box onto a flat surface and count parts to make sure all are there.**

## **CRESO 28 PARTS LIST:**

- |                               |                             |                             |                              |
|-------------------------------|-----------------------------|-----------------------------|------------------------------|
| <b>1.</b> Hopper Body & Frame | <b>5.</b> Mesh Grill        | <b>9.</b> 4 x M6 lock nuts  | <b>13.</b> 4 x M6 x 65 bolts |
| <b>2.</b> Pneumatic Wheels    | <b>6.</b> Mesh Grill Lock   | <b>10.</b> Small Cotter Pin | <b>14.</b> 4 x M6 lock nuts  |
| <b>3.</b> Control Rod         | <b>7.</b> Back Stand        | <b>11.</b> Large cotter pin | <b>15.</b> Safety Lights     |
| <b>4.</b> Loop Handle         | <b>8.</b> 4 x M6 x 45 bolts | <b>12.</b> Pivot Bracket    |                              |

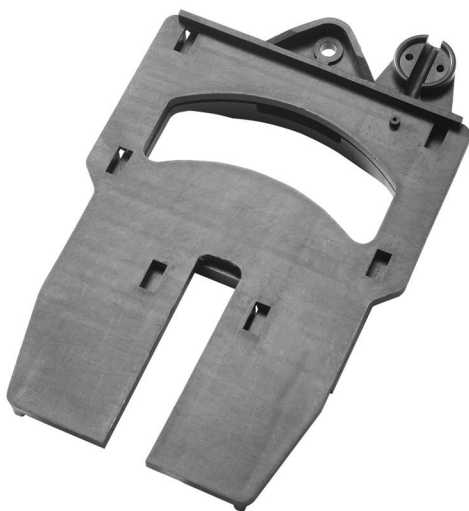
# Slide System **Explanation**

**\*\*\* VERY IMPORTANT \*\*\***

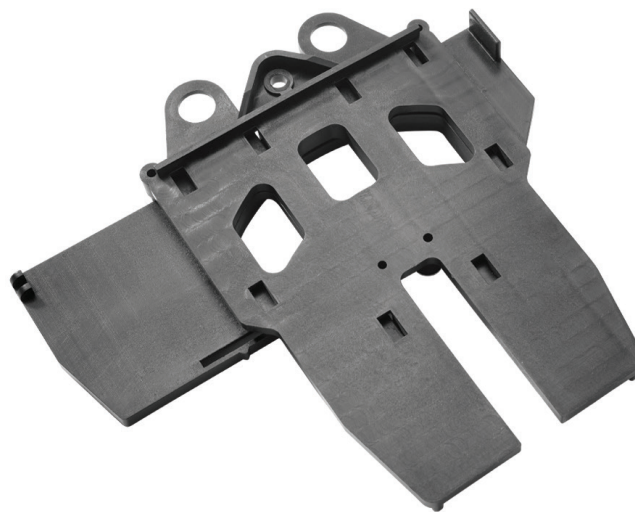
**Your Cresco spreader comes with two different application sliders.**  
One is for **winter** and the other is for **summer!**



**DO NOT SPREAD FERTILIZER  
WITH THE WINTER SLIDER**



**Winter Slider**

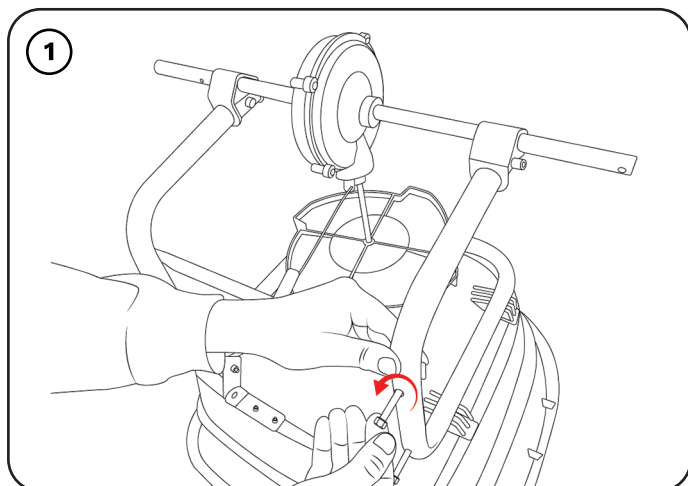


**Summer Slider**

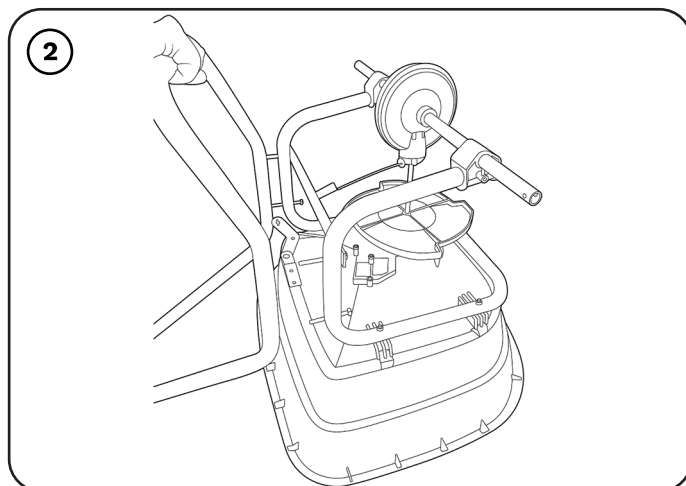
**Please locate and choose your slider.**



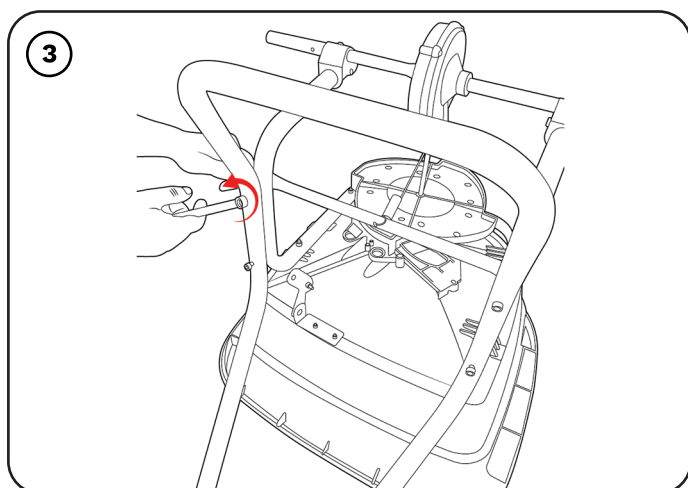
## Assembling your **Cresco 28**



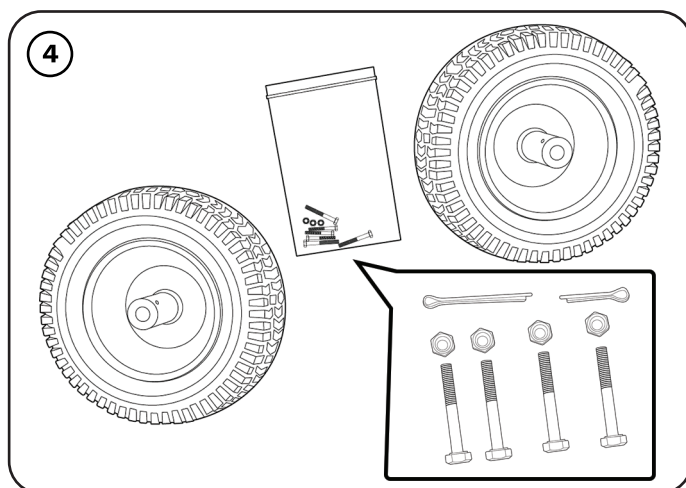
Place the Hopper body (1) on the table so that the gearbox is pointing upwards. Take the bolts out of the main frame (1) - you will use these to attach the backstand to the hopper body and main frame (1). Remove the nuts from the bolt ends.



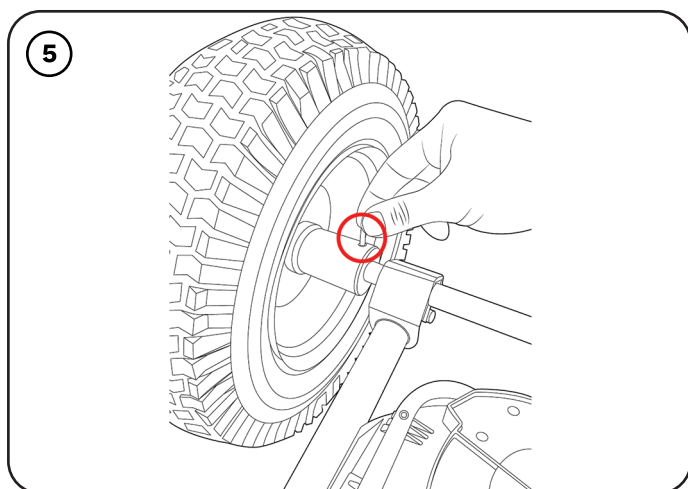
Take the backstand (7) and align it with the holes on the main frame (1). Place the four bolts through the holes available.



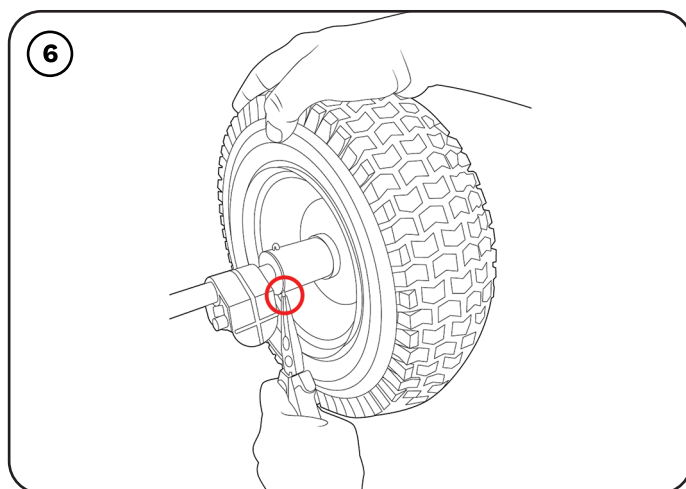
Use a spanner to tighten the lock nuts. The backstand (7) should now be securely attached to the hopper body and frame. (1).



Take the pneumatic wheels (2) and slide them over the axles on each side of the main frame (1). You will also need the two cotter pins (10 & 11) that sit inside the parts bag.



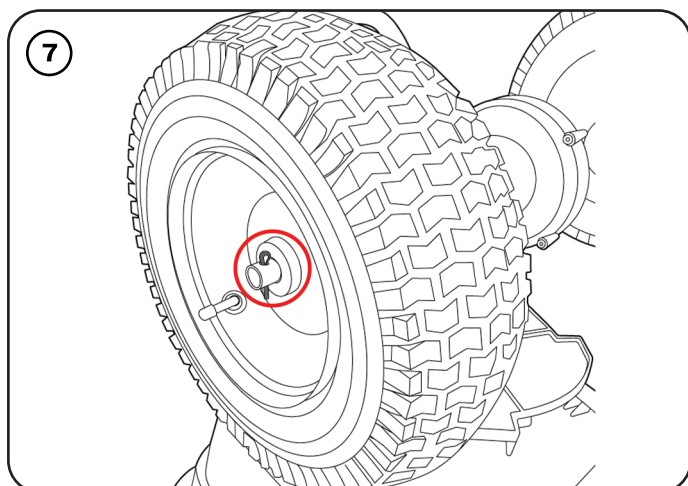
Align the hole on the inside of the pneumatic wheel (2) with the hole on the axle. Take the large cotterpin (11) and thread it through the two holes.



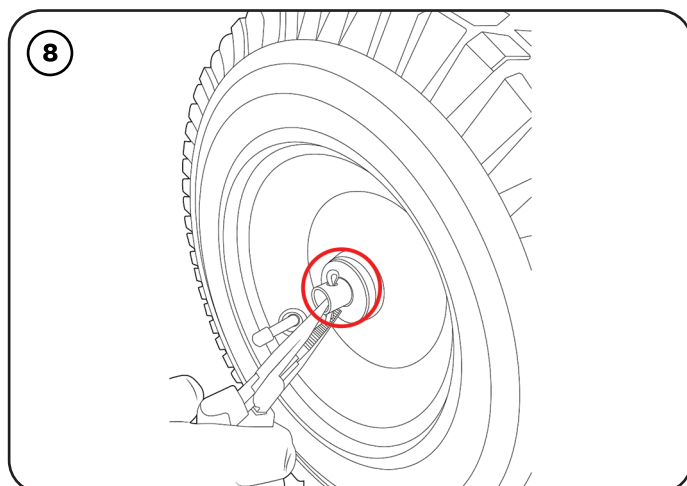
After threading the cotter pin (11) through the two holes, use a pair of pliers to pull apart the two ends of the cotter pin (11). The wheel will then be secured in place.



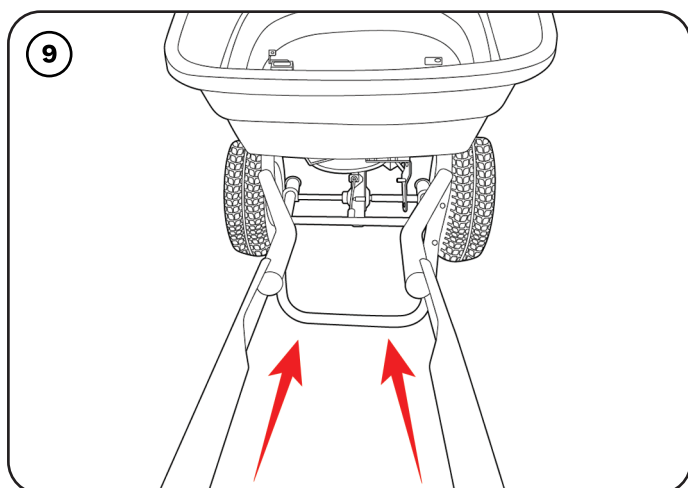
## Assembling your **Cresco 28**



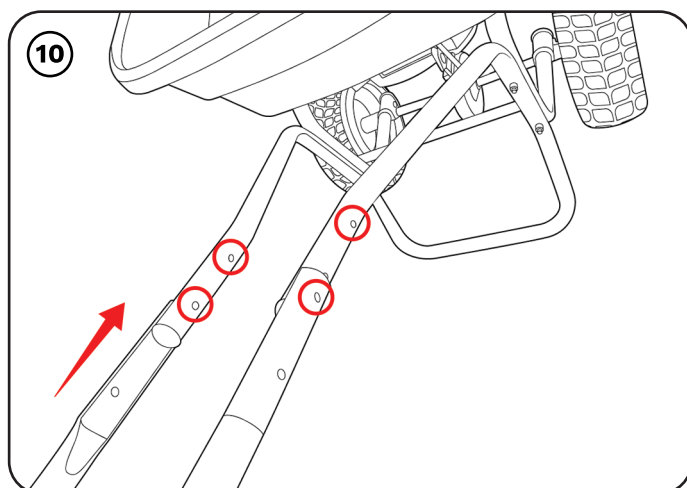
Take the small cotterpin (10) and place it through the hole on the outside of the other wheel.



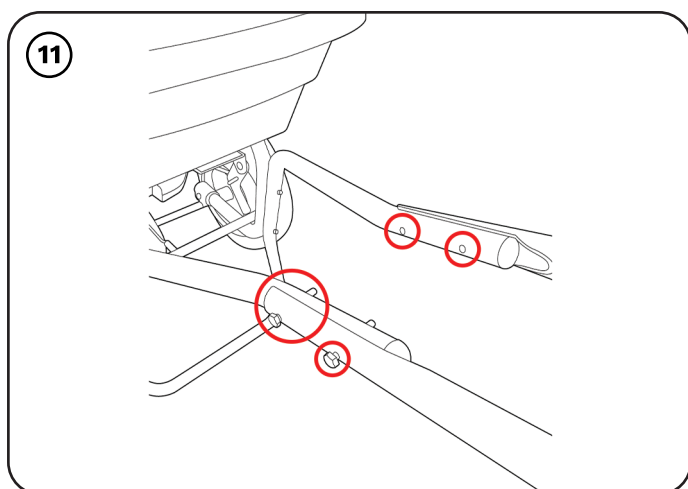
Once in position, use the same pliers to split the ends of the cotter pin (10) to hold the wheel in place.



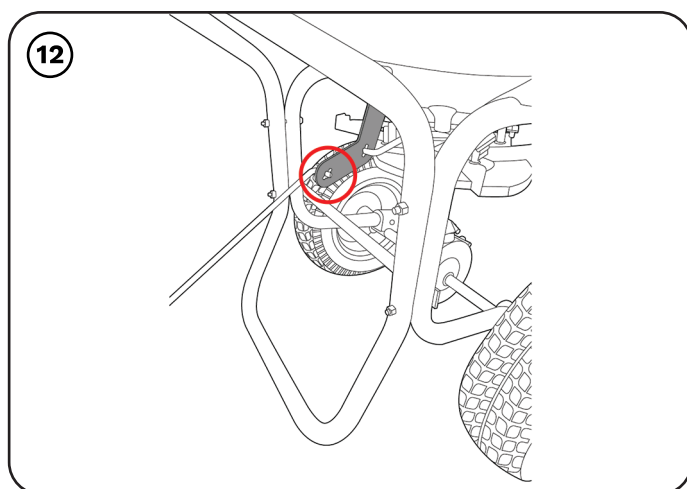
Turn the hopper body and main frame (1) over so that the spreader sits on its wheels and backstand. Take the handle bar and slide it down the two ends of the backstand.



Align the holes on the handle bar and on the back stand (7).

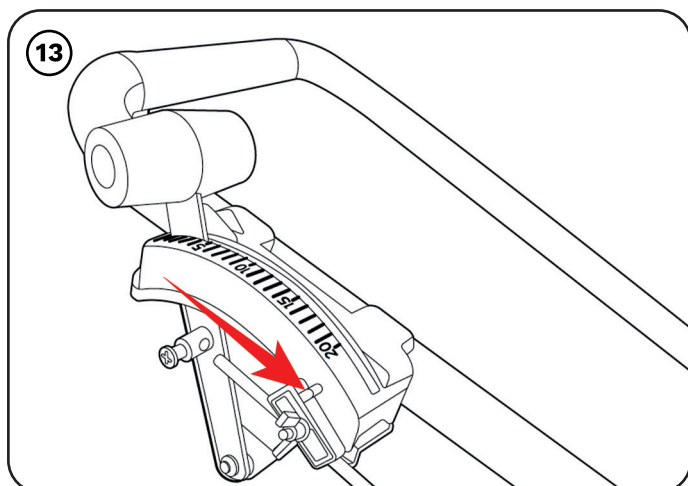


Thread the four remaining bolts (8) through the holes on the handle bar (4) and the back stand (7).

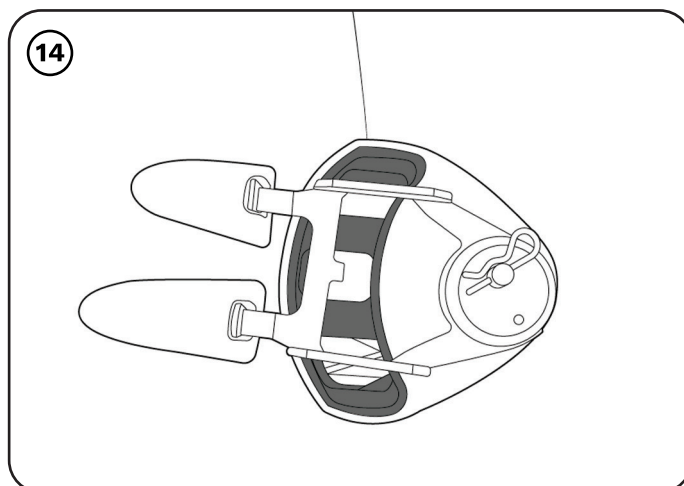


Take the bent end of the control rod (3) and thread it through the hole at the back of the pivot bracket (12). It should lock into place.

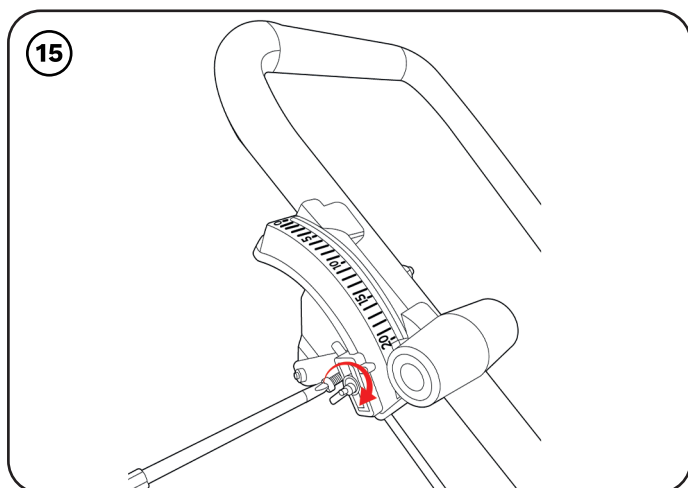
## Assembling your **Cresco 28**



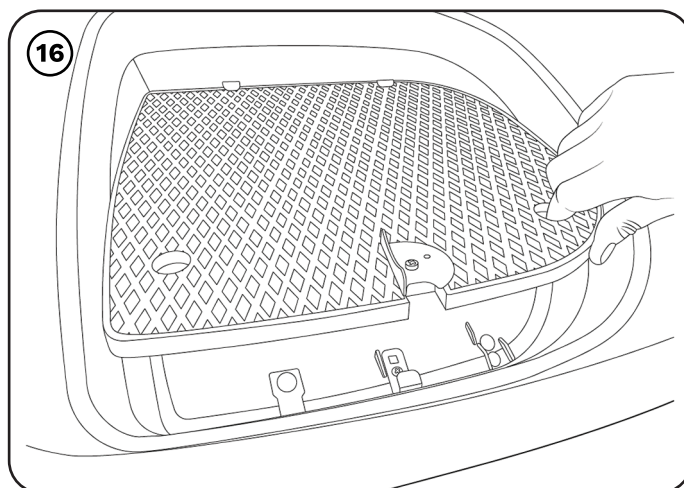
Take the other end of the control rod (3) and align it with the hole on the on/off mechanism of the loop handle (4). Push the on/off lever all the way to 20 and then hand tighten the screw.



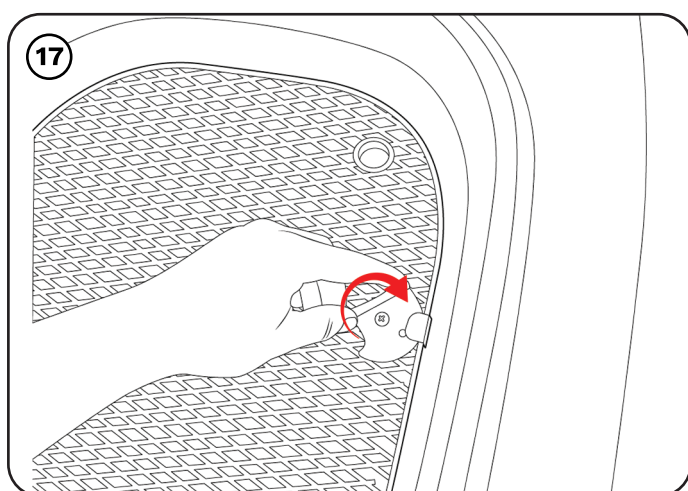
Make sure the slider at the bottom of the hopper is fully open. You should see the entirety of the holes or hole on the slide system.



If the application hole is fully open and the lever is set at 20, tighten the screw so that the control rod (3) is secure.



To fit the mesh grill (5) to the hopper, place the side which doesn't have the mesh grill lock (6) on in the brackets provided on the far side of the hopper.



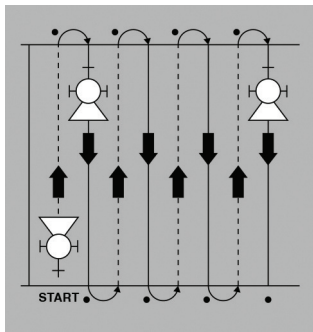
Lock the grill (5) in place by turning the mesh grill lock anti-clockwise (6).

# How to use the **Cresco 28**

## Longitudinal Fertilizer Spreading

½ the application rate suggested on the back of your fertilizer bag.

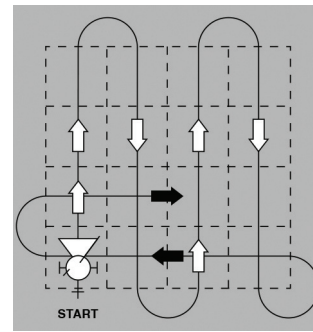
Cover the area as shown by going over your tire marks left on the previous pass.



## Cross Sectional Fertilizer Spreading

½ the application rate suggested on the back of your fertilizer bag.

Cover the area as shown making the second pass at the edge of your spread pattern or where the fertilizer thrown begins to feather.



## Cleaning and Maintenance

**CLEANING THE SPREADER THOROUGHLY WILL SIGNIFICANTLY ENHANCE THE LIFESPAN OF YOUR SPREADER AND IMPROVE IT'S ABILITY TO SPREAD EVENLY NEXT TIME YOU USE IT.**

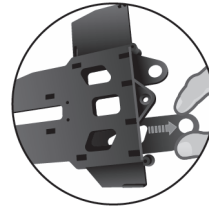




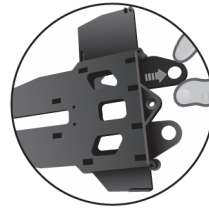
# Application Guide **for Fertilisers**

## Calibration Setting Guide

Speed		Product											
Mph	3	05mm - 1mm				1mm - 2mm				3mm - 5mm			
Kph	4.828	3.5	3.5	3.5	3.5	4.0	4.0	4.0	4.0	4.5	4.5	4.5	4.5
Metres p/Sec	1.34	20	35	50	50	20	35	50	50	20	35	50	50
Width	Metres	10	10	10	10	10	10	10	10	10	10	10	10
Application Rate	Grams /Sq M	13.4	13.4	13.4	13.4	13.4	13.4	13.4	13.4	13.4	13.4	13.4	13.4
Run Time	Secs	47	47	47	47	54	54	54	54	60	60	60	60
Distance	metres	938	1,876	3,015	3,015	938	1,876	3,015	3,015	938	1,876	3,015	3,015
Area	Sq Metres	8.5	11	14	14	11	13.5	19.5	13	18	18	16 (X2)	16 (X2)
Target Weight	Grams	2 Clicks RHS	2 Clicks RHS	2 Clicks RHS	2 Clicks RHS	2 Clicks LHS	2 Clicks LHS	2 Clicks LHS	4 Clicks LHS	4 Clicks LHS	4 Clicks LHS	4 Clicks LHS	4 Clicks LHS
Setting													
Slider Position													



Left hand slider adjuster



Right hand slider adjuster

RHS (Right hand slider adjusters) are recommended to be engaged when spreading different sized granular materials to provide a more uniform distribution on the left and right side of the spread pattern. The manufacturer cannot be held responsible for any variations in sq. metre application volumes, or spread width differences, due to possible variations in materials, application conditions at the time and different operator application techniques.



\*Do not spread Fertiliser or seed materials with the winter slider\*

**This chart should be used as a guide only.**

## 3-Year **Limited Warranty**

DMMP Ltd. warrants this product free of defects in original workmanship and materials for a period of 3 Years to the end user with the original dated purchase receipt.

If a manufacturing non-conformance is found, DMMP Ltd. will repair or replace the part(s) or product at its discretion at no charge provided the failure is not the result of incorrect installation, mishandling, misuse, tampering, or normal wear and tear as determined by DMMP Ltd.

DMMP Ltd. at its discretion may require that the part(s) or product be returned along with the original purchase receipt at owners' expense for examination and compliance with the terms of this warranty.

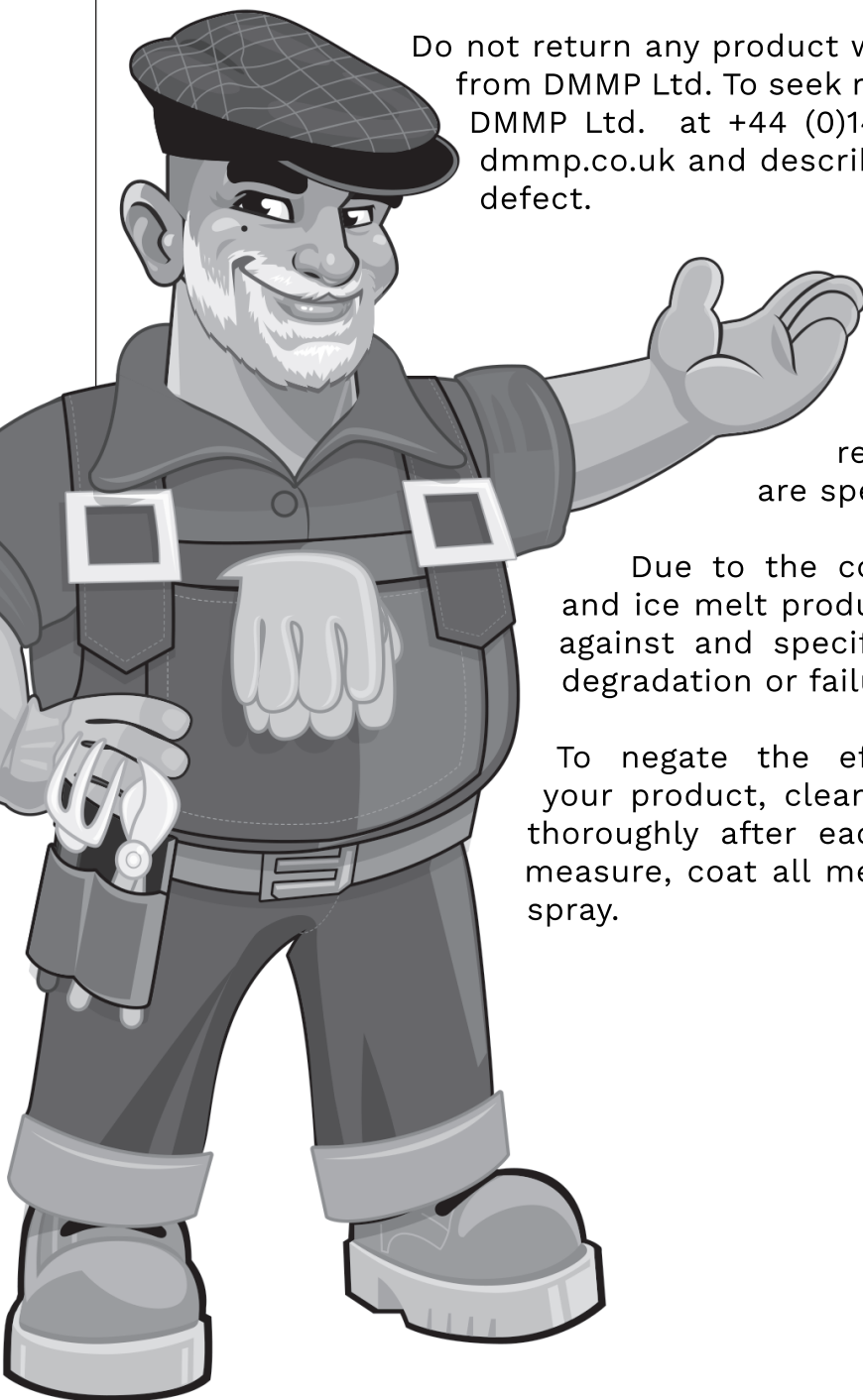
Do not return any product without first receiving authorization from DMMP Ltd. To seek remedy under this warranty, contact DMMP Ltd. at +44 (0)1455 825 400 or email us at [info@dmmp.co.uk](mailto:info@dmmp.co.uk) and describe the nature of the manufacturing defect.

### **SPECIFIC LIMITATIONS:**

This warranty covers only the part(s) or product; any labour charges associated with repair or replacement of nonconformances are specifically excluded.

Due to the corrosive nature of most fertilizers and ice melt products, DMMP Ltd makes no warranty against and specifically excludes part(s) or product degradation or failure due to corrosion or its effects.

To negate the effects of corrosive materials on your product, clean and dry your spreader or seeder thoroughly after each use. As a further preventative measure, coat all metal parts with a light oil or silicon spray.



# Other Cresco Products

Product / Season		Unique Selling Points			
 <b>Cresco 1</b>  Code: CR001		Ergonomic arm-rest handle for easy holding		Large 2Kg Hopper	
 <b>Cresco 5</b>  Code: CR005		New heavy duty gearbox		Easy to use on/off system	
 <b>Cresco 10SW</b>  Code: CR10SW		Cushioned on/off lever with solid rod linkage		Large moulded wheels	
 <b>Cresco 20SW</b>  Code: CR20SW		Cushioned on/off lever with solid rod linkage		Pneumatic Wheels	
 <b>Cresco SRS</b> Code: CRSRS		Seed Plate Bag Included with 11 Seed Plates		Strong row marker mounting	
 <b>Heavy Duty Snow Shovel</b> Code: H464P		Powder coated steel tubed handle		Large comfortable ergonomic grip	
 <b>Wide Snow Clearer</b> Code: H611		Steel blade		Steel edge to increase cutting power and longevity	
 <b>3 in 1 Foldable Snow Shovel</b> Code: HZS212		Anodised aluminium head		Telescopic anodised aluminium handle	
 <b>Cresco Snow Blaster</b> Code: H595		Two grip design makes snow removal easy and minimises lifting and stooping		Wave ribbed design reinforces blade strength	
 <b>Polar Tough Snow Plough</b> Code: YH74900		Helps manage snow accumulation		Reduces labour costs compared to a shovel	